



HEADHUNTER20

SLI-MHB-HH20

.....

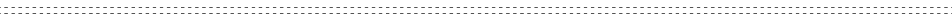
1.

2.

DMX 512

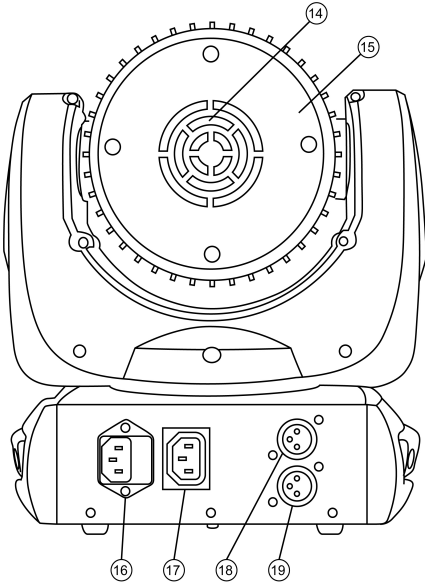
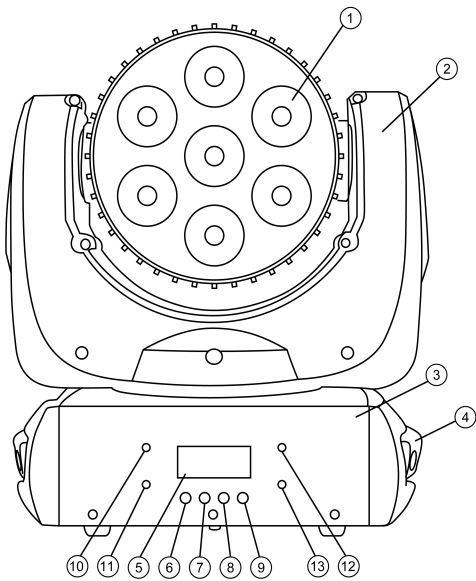
3.

DMX



- : 100~240
- : 100
- : USA CREE 10 7 . RGBW 4 1
- : 750
- : 8°
- 1 : 50000
- : IP20
- DMX : 9/14 DMX .
- : 315x295x22
- : 4,9
- : 6

- DMX XLR
- IEC
- 4 : DMX512, , /
- LCD
- : -20°C~+40°C
- 2 DMX: 9 /14
- : 0-100%
- : 360
- : 220
- ()



- 1
- 2
- 3
- 4
- 5 LCD-
- 6 Mode/esc (/)
- 7 Up ()
- 8 Down ()
- 9 Enter ()
- 10 Power ()
- 11 DMX (DMX)
- 12 Auto (-)
- 13 Sound ()
- 14
- 15
- 16
- 17
- 18 DMX
- 19 DMX

2.

-
-
-
-
-
-

0,5
DMX DMX 110
DMX
100 240
50-60
220 16 10 20 110 16

		1
		2
/		3

DMX

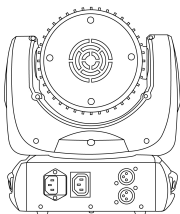
1. DMX 110
(3- -) (3- -)
, Stagg Commandor 10 (,)
)

2. DMX

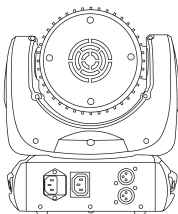
DMX-



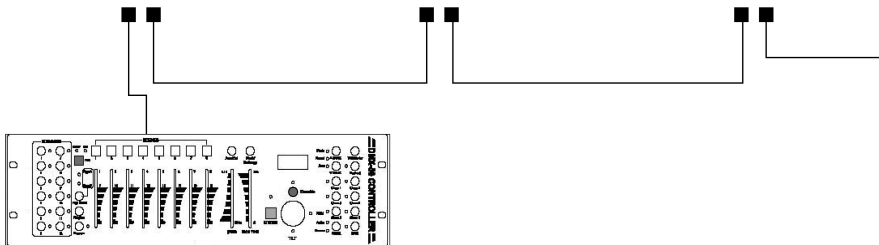
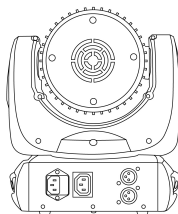
DMX : 001



DMX : 001

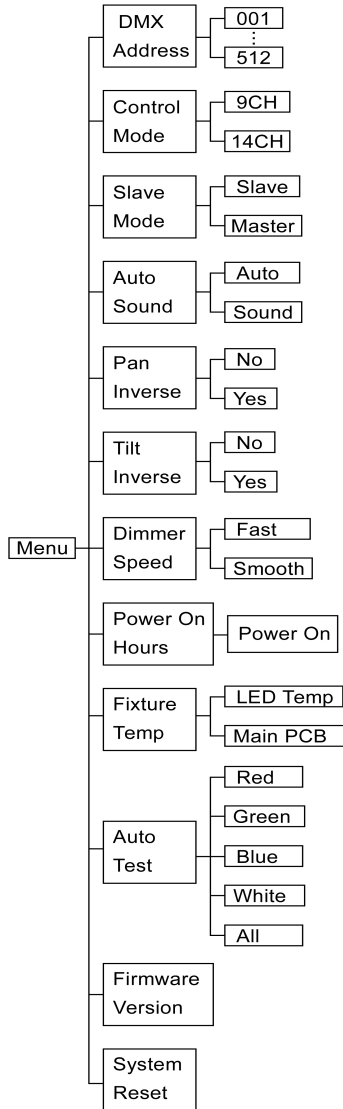


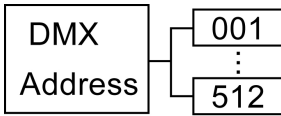
DMX : 001



3.

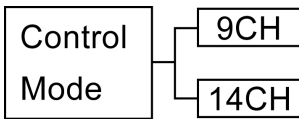
MODE ()	
ENTER ()	
UP ()	
DOWN ()	





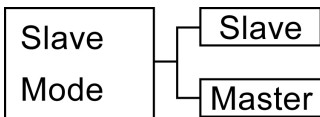
[**DMX**]

- MENU, Up DOWN,
"DMX Address", ENTER
- DMX UP DOWN
- ENTER DMX



[]

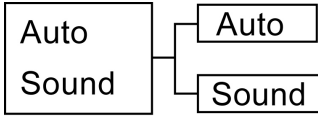
- MENU, Up DOWN,
"Control Mode", ENTER
- UP DOWN 9CH 14CH
- ENTER



[**Master Slave**]

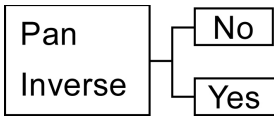
- MENU, Up DOWN,
"Slave Mode", ENTER
- UP DOWN Master () Slave ()
- ENTER

При последовательном соединении приборов ведомые устройства будут работать синхронно с ведущим устройством. Установите на первом приборе режим Master, на остальных режим Slave; если затем их соединить DMX кабелем последовательно, то при запуске автоматической программы или в режиме звуковой активации все приборы будут работать синхронно.



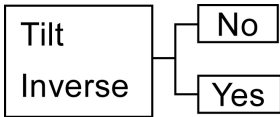
```

[
  • MENU, Up DOWN,
    "Auto Sound", ENTER
  • UP DOWN Auto ( ) Sound ( )
  • ENTER
]
  
```



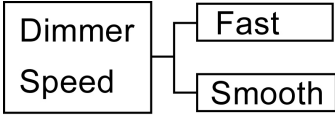
```

[
  • MENU, Up DOWN,
    "Pan Inverse", ENTER
  • UP DOWN, Yes ( ) No ( )
  • ENTER
]
  
```



```

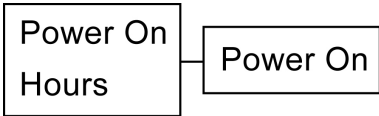
[
  • MENU, Up DOWN,
    "Tilt Inverse", ENTER
  • UP DOWN, Yes ( ) No ( )
  • ENTER
]
  
```



```

[
  • MENU, Up DOWN,
  "Dimmer Speed", ENTER
  • UP DOWN Fast (
    ) Smooth (
    )
  • ENTER

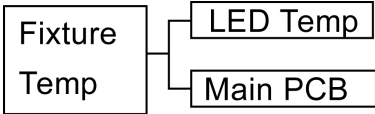
```



```

[
  • MENU, Up DOWN,
  "Power On Hours", ENTER
  • MENU ;

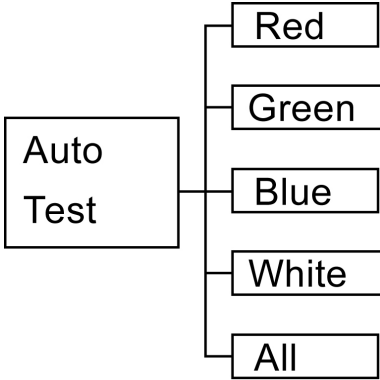
```



```

[
  • MENU, Up DOWN,
  "Fixture Temp", ENTER
  • "MENU"

```



[]

- MENU, Up DOWN,
"Auto Test", ENTER
-
- "MENU"

Firmware
Version

[]

- MENU, Up DOWN,
"Firmware Version", ENTER
-
- "MENU"

System
Reset

[]

- MENU, Up DOWN,
"System Reset", ENTER
-

DMX :

14

1	0-255	PAN 0-360° (0-360°)
2	0-255	PAN 16 bit (16)
3	0-255	Tilt 0-220° (0-220°)
4	0-255	Tilt 16 bit (16)
5	0-255	Pan & Tilt Speed ()
6	0-255	() 0-100%
7	0-255	Red () 0-100%
8	0-255	Green () 0-100%
9	0-255	Blue () 0-100%
10	0-255	White () 0-100%
11	0-35	
	36~55	=3200K
	56-75	=3400K
	76-95	=4200K
	96-115	=4900K
	116-135	=5600K
	136-155	=5900K
	156-175	=6500K
	176-195	=7200K
	196-215	=8000K
	216-235	=8500K
236-255	=10000K	
12	0-14	
	15-255	Color Macros ()
13	0-19	
	20-255	Strobe 0-20HZ ()
14	0-99	Disable Sound Control ()
	100-199	Enable Sound Control ()
	200-255	5 ,

9

1	0-255	PAN 0-360° (0-360°)
2	0-255	Tilt 0-220° (0-220°)
3	0-255	Pan & Tilt Speed ()
4	0-255	() 0-100%
5	0-255	Red () 0-100%
6	0-255	Green () 0-100%
7	0-255	Blue () 0-100%
8	0-255	White () 0-100%
9	0-19	
	20-255	Strobe 0-20HZ ()

.....

1. CE EMC (2004/108/CE), CE (93/68/EEC) (2006/95/EC).
2. « » WEEE () (2002/96/EC).
3. «RoHS compliant» (2002/95EC)

