



MINI**PAR** 2

SLI-MINIPAR2

.....

:

DMX
DMX,

4

master/slave (/).

master/slave.

!

!

!



1. 1

2.

3. DMX512: DMX512
() Output () XLR (1, 2, 3)

Input

100

DMX512

IP



Figure 2

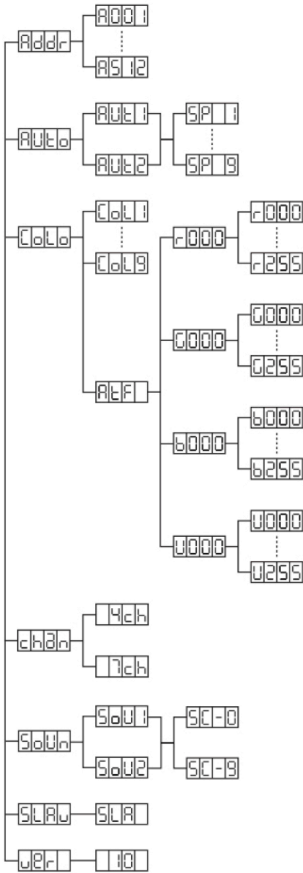


Figure 3

XLR Pin Configuration	
Pin 1 =	Ground
Pin 2 =	Data Compliment (negative)
Pin 3 =	Data True (positive)



- RGBW
-
-
- ()
- 0-100%
-
- DMX-512
- 4 7 DMX .
- 4 - , master/slave DMX
- DMX-512 (7 DMX).
-



Addr - DMX

1. DOWN ESC UP
"Addr", ENTER.

2. "Axxx", "x"
(), UP () DOWN

Auto -

1. DOWN MENU UP
"Auto", ENTER.
"Autx".

3. UP DOWN, ENTER,
SPx. UP DOWN,

(SP1-SP9)

Colo -

1. ESC UP DOWN ENTER. "CoLo",

2. "AtF". UP DOWN "CoLX" (" " 1-9) ENTER "AtF".

3. "AtF" ENTER; "AtF", ENTER;

.....

"rxx" (), "Gxxx" () "bxxx" ().
1-225; ENTER:
UP DOWN

Chan -

1. MENU UP DOWN DMX
"Chan", ENTER.
2. "X Ch", "x" DMX
UP () DOWN (),

Soun -

1. MENU "Soun", ENTER.
2. "Soux".
3. UP DOWN.
"ENTER", "SL-XX", "UP"
"DOWN", 0 9.

SLav -

1. MENU "SLav", / ENTER.
2. "Sla", slave.
(auto), (sound)
(color).

VER -

1. MENU "VER".
ENTER
2. MENU

DMX

DMX-512, Stag Commandor.

DMX

DMX

DMX : 4-

ch1	0--255	red [] (0%--100%)
ch2	0--255	green [] (0%--100%)
ch3	0--255	blue [] (0%--100%)
ch4	0--255	white [] (0%--100%)

DMX : 7-

Ch1	0 – 255	dimmer [] (0%--100%)
Ch2	0 – 255	red [] (0%--100%)
Ch3	0 – 255	green [] (0%--100%)
Ch4	0 – 255	blue [] (0%--100%)
Ch5	0 – 255	white [] (0%--100%)
Ch6	0 – 255	Strobe/auto speed (slow-fast)[/ -]
Ch7	0 – 15	
	16 – 37	Colour fade []
	38 – 60	Colour slow appear and slow disappear[]
	61 – 83	Colour change []
	84 – 106	Colour slow appear and fast disappear []
	107 – 129	Colour slow in and fast out []
	130 – 152	Colour strobe in and slow out []
	153 – 175	Colour fast and slow out []
	176 – 198	Colour strobe and fade out []
	199 – 221	Colour change and strobe []
	222 – 244	Sound Active 1 []
	245 – 255	Sound Active 2 []

.....



- : 7 * 4- -1 8
- : 25°
- : 80000
- 0-100%
- : 0-20 ()
- : 82,5
- (1): 6100 Lux 1
- : , DMX 512, , master/slave
- DMX: 4 7 DMX .
- : 4 (-)
- : 100-240 . , 50-60 ()
- : 40°C
- : 23 x 23 x 153
- : 2

1. CE
EMC (2004/108/CE), CE (93/68/EEC)
(2006/95/EC).
2. « » WEEE (
) (2002/96/EC).
3. «RoHS compliant» (2002/95EC)

09-10-2012-15.41

DISTRIBUTOR / DEALER

